

aquatica®

Function, Form & Fashion



Lorena-S-210 & Lorena-B-310
Faucets

Installation & Care Manual
Europe / International

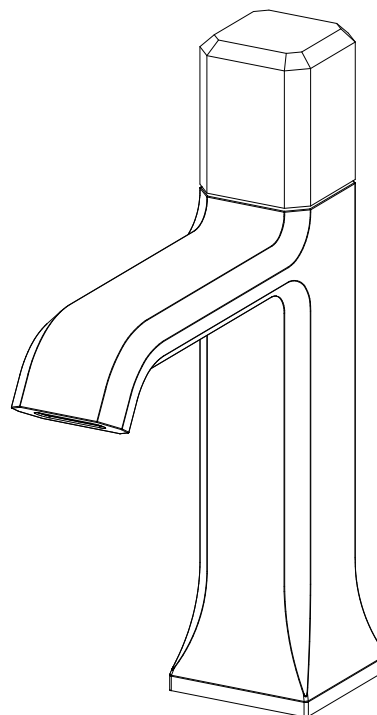
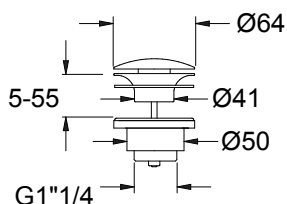
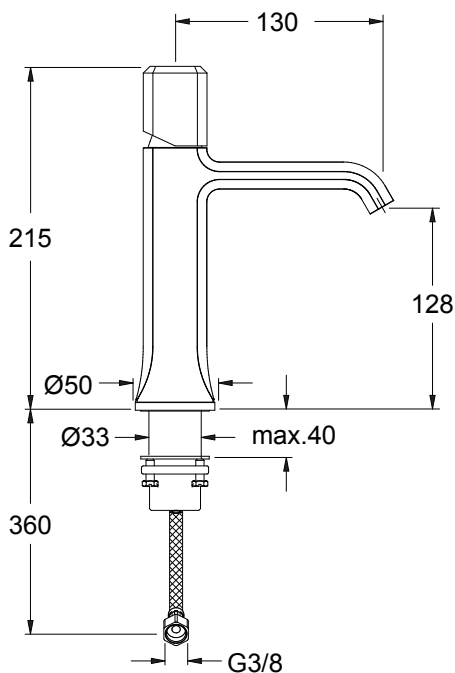
Lorena-S-210 & Lorena-B-310

Faucets

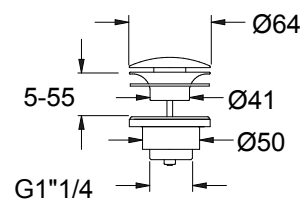
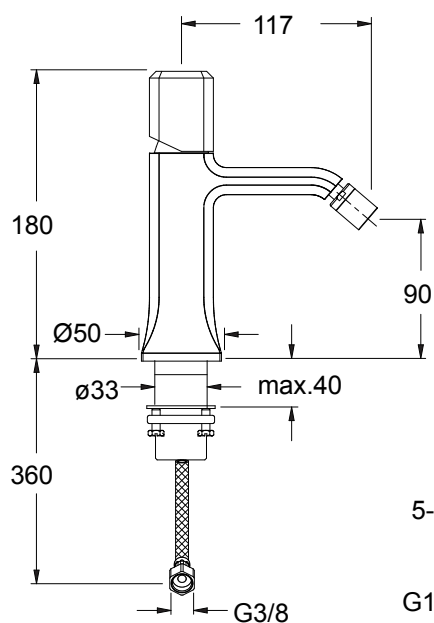
PARTS LIST

 MEASUREMENTS: mm

Lorena-S-210



Lorena-B-310



SPECIFICATIONS

Recommended operational pressure	1-5 bar
Maximum test pressure	16 bar
Maximum hot water temperature	70 °C
Recommended temperature	50-60 °C
Pressure difference between hot and cold water	max. 1,5 bar

IMPORTANT NOTE

- Installation to be performed by qualified personnel
- Before connecting to mains, bleed the pipes to avoid damage.



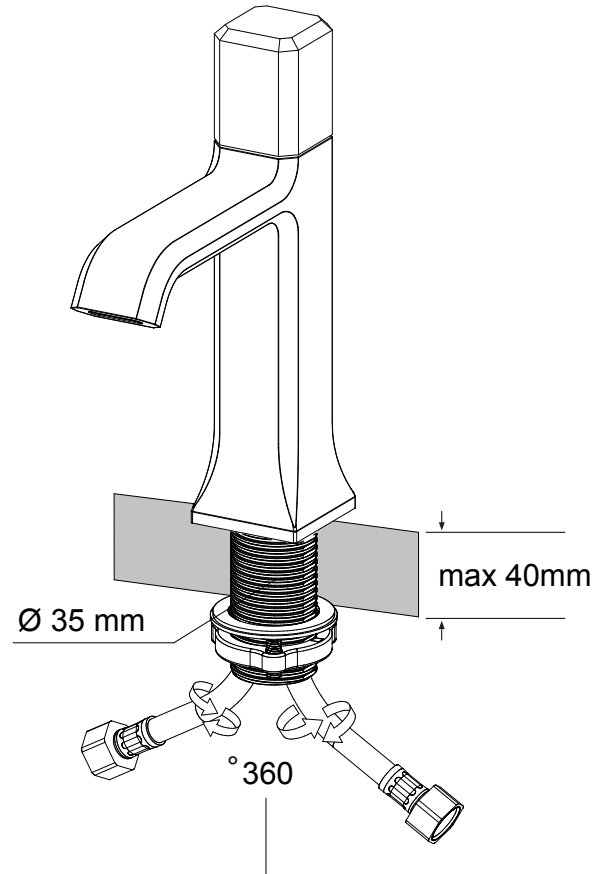
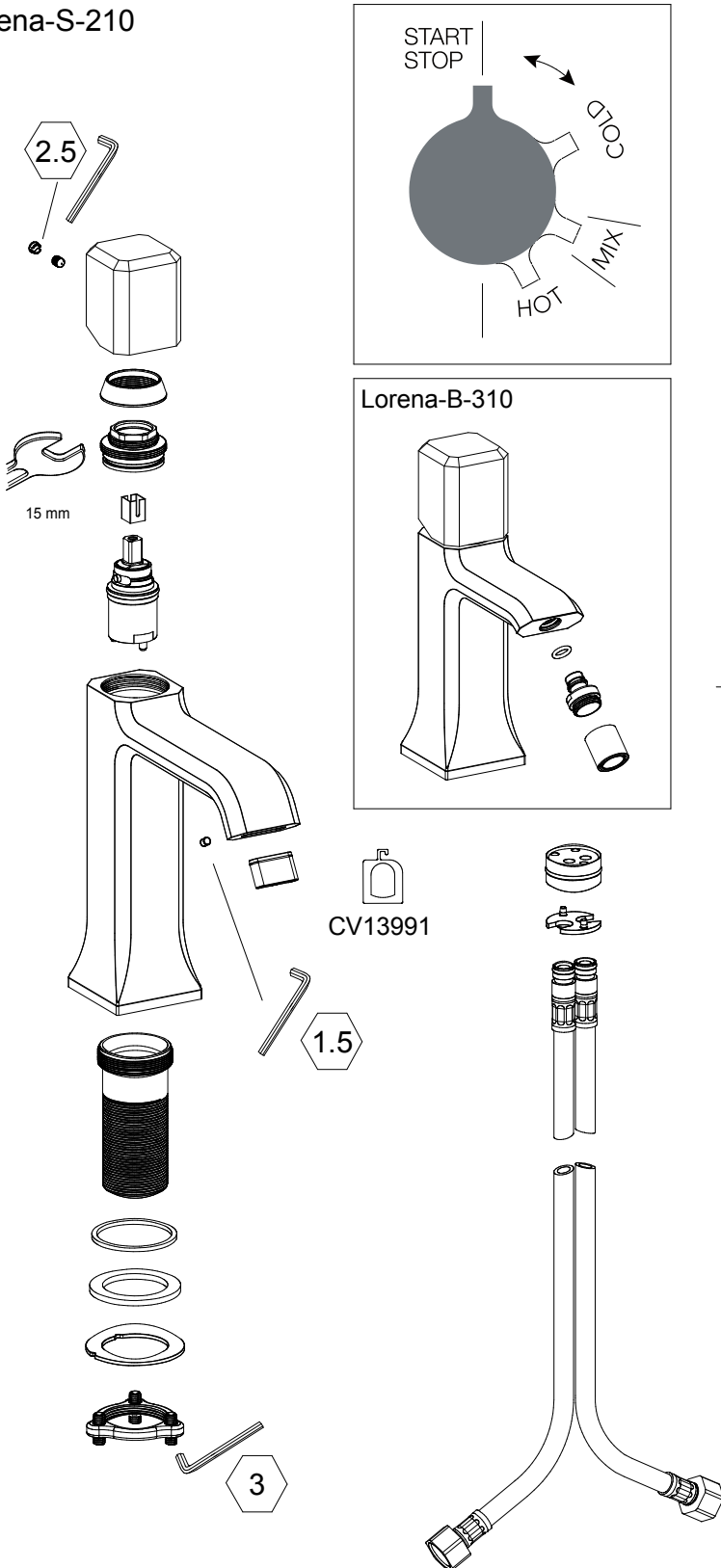
Lorena-S-210 & Lorena-B-310

Faucets

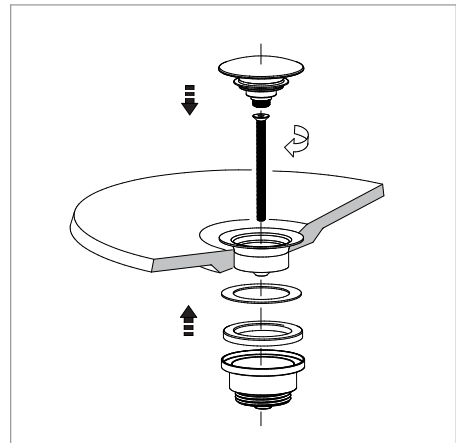
aquatica[®]
Function, Form & Fashion

INSTALLATION

Lorena-S-210



Flexible Connection With
Patented Anti-torsion System



aquatica[®]
Function, Form & Fashion

aquatica®

Function, Form & Fashion

